



# High Current SMT Power Inductors - SEP1206E SERIES



## PART NUMBERING SYSTEM

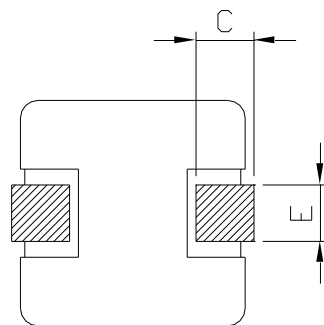
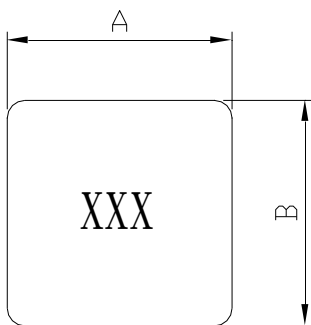
<b>SEP</b>	<b>1206E</b>	—	<b>3R3M</b>	—	<b>LF</b>
TYPE	DIMENSIONS		INDUCTANCE		LEAD FREE



### FEATURES :

- \* Magnetically shielded low DC resistance .
- \* Suitable for large current application. DC current up to 120A
- \* Laptop & Notebook computers.
- \* Battery powered equipment.
- \* DC/DC converters.
- \* Digital 、 Cameras 、 Scanners, CD-ROM & DVD.

## SHAPES AND DIMENSIONS :

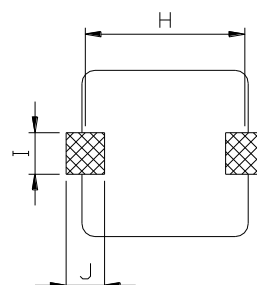


**A=13.5±1.0 B=12.8±0.5 C=2.5 Ref. D=6.5 Max. E=3.8 Ref.**

**UNIT : mm**

## RECOMMENDED PATTERNS

**H=11.00 I= 5.50 J= 4.00**



## High Current SMT Power Inductors - SEP1206E SERIES



### SPECIFICATION TABLE

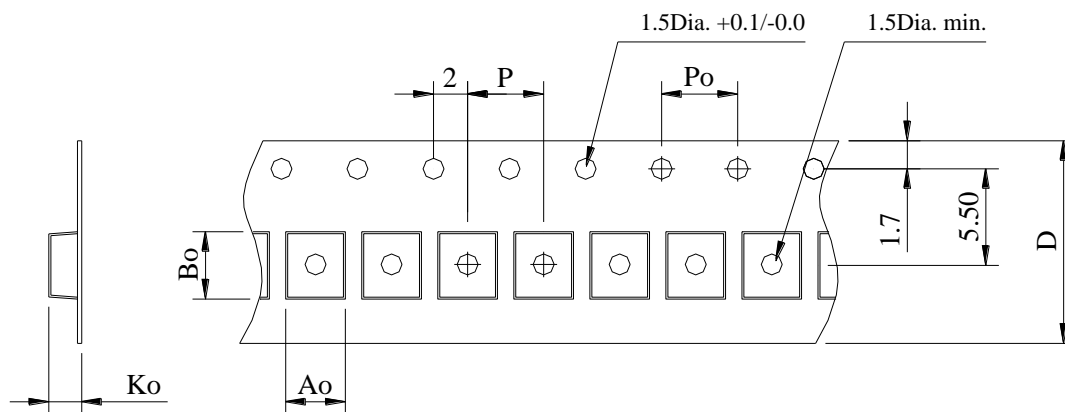
PART NUMBER	INDUCTANCE (μH)	I <sub>sat</sub> (A) (Typ.)	I <sub>rms</sub> (A) (Typ.)	DCR (mΩ) (Max.)	Test Freq. (KHz)
SEP1206E-R10M-LF	0.10±20%	120	60	0.50	100KHz/1V
SEP1206E-R15M-LF	0.15±20%	118	55	0.60	100KHz/1V
SEP1206E-R22M-LF	0.22±20%	112	53	0.70	100KHz/1V
SEP1206E-R30M-LF	0.30±20%	72	48	0.80	100KHz/1V
SEP1206E-R33M-LF	0.33±20%	65	46	0.90	100KHz/1V
SEP1206E-R40M-LF	0.40±20%	64	44	1.00	100KHz/1V
SEP1206E-R47M-LF	0.47±20%	63	41	1.20	100KHz/1V
SEP1206E-R56M-LF	0.56±20%	62	37	1.40	100KHz/1V
SEP1206E-R68M-LF	0.68±20%	60	35	1.60	100KHz/1V
SEP1206E-R82M-LF	0.82±20%	50	33	1.90	100KHz/1V
SEP1206E-1R0M-LF	1.00±20%	49	32	2.00	100KHz/1V
SEP1206E-1R2M-LF	1.20±20%	48	30	2.50	100KHz/1V
SEP1206E-1R5M-LF	1.50±20%	45	27	3.00	100KHz/1V
SEP1206E-1R8M-LF	1.80±20%	41	24	3.20	100KHz/1V
SEP1206E-2R2M-LF	2.20±20%	40	22	4.20	100KHz/1V
SEP1206E-3R3M-LF	3.30±20%	35	18	6.80	100KHz/1V
SEP1206E-4R7M-LF	4.70±20%	30	13.5	11.2	100KHz/1V
SEP1206E-5R6M-LF	5.60±20%	26.5	13.5	11.2	100KHz/1V
SEP1206E-6R8M-LF	6.80±20%	16.5	11.5	14.0	100KHz/1V
SEP1206E-8R2M-LF	8.20±20%	16.0	10.5	15.5	100KHz/1V
SEP1206E-100M-LF	10±20%	15.5	10.0	16.8	100KHz/1V
SEP1206E-220M-LF	22±20%	12.0	10.0	40.0	100KHz/1V
SEP1206E-330M-LF	33±20%	11.0	8.0	58.0	100KHz/1V
SEP1206E-470M-LF	47±20%	9.5	6.5	90.0	100KHz/1V
SEP1206E-680M-LF	68±20%	7.8	4.8	130.0	100KHz/1V

- I<sub>sat</sub> : DC current at which the inductance drops 30% (typ) from its value without current.
- I<sub>rms</sub> : Average current for a 40°C temperature rise above 25°C ambient.
- Operating temperature range -55°C to +125°C, Electrical specifications at 25°C.
- The part temperature (ambient + temp. rise) should not exceed 125 °C under worst case operating conditions.



# High Current SMT Power Inductors - SEP1206E SERIES

## PACKAGING SPECIFICATION



STAYLE	Q'TY (PCS)	DIMENSIONS (m/m)					
		$A_o$	$B_o$	$K_o$	$P$	$P_o$	$D \pm 0.3$
13"	500	14.2	13.5	6.6	16	4.0	24